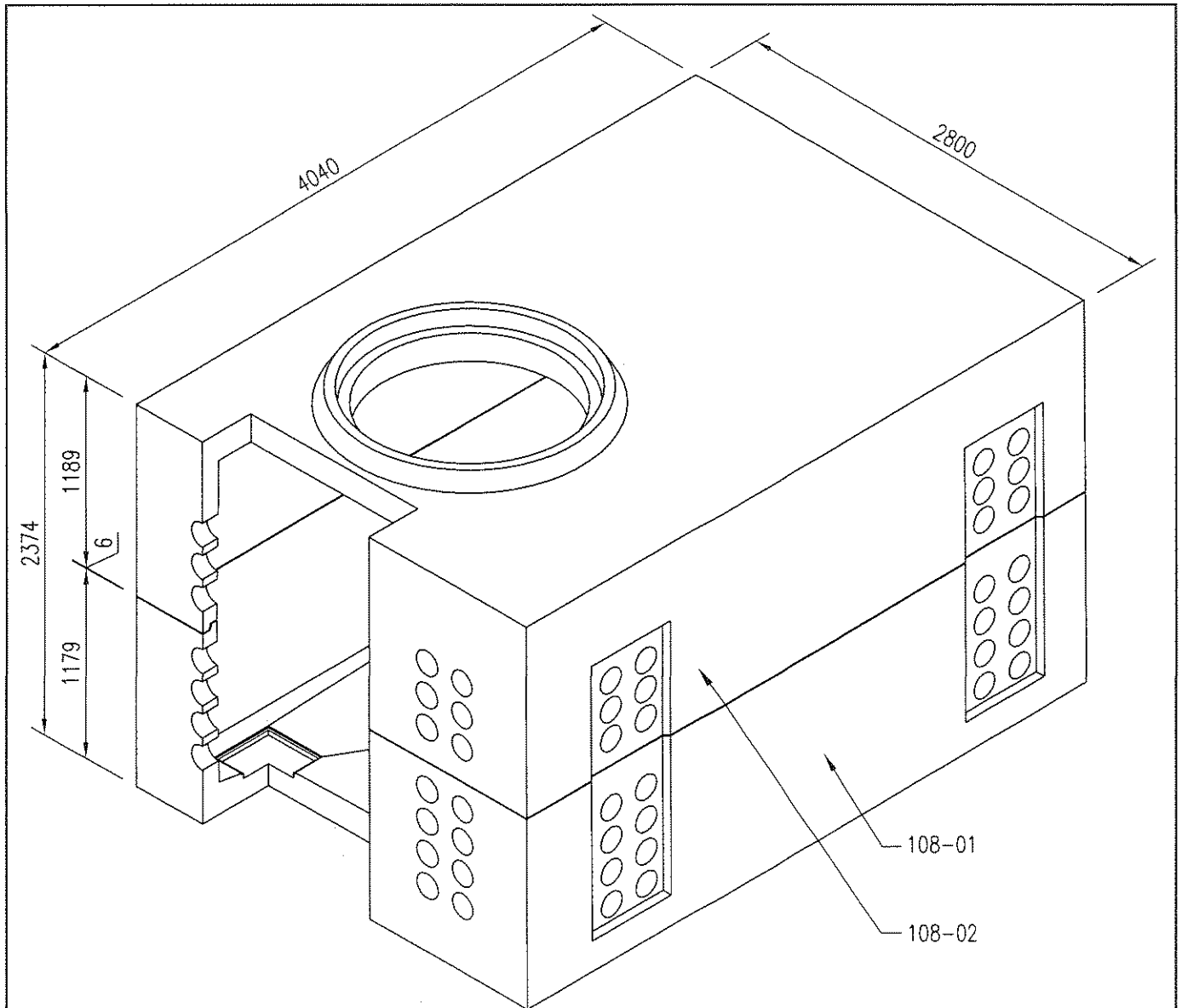


CON-FORCE

**2.45m x3.8m x2.0m
Vault**



Vault Con-Force Type 108

Total Mass (No Accessories): 18875 kg (41615 lbs)

Standard Entrance Ducts: 6" ϕ I.D. Type Sch. 40 Top
6" ϕ I.D. Type Sch. 40 Bottom

Entrance Duct Type, Size and Location can be Modified upon request.

Standard Accessories:

- Manhole Barrel
- Slab Top
- Adaptor
- Cast-Iron Frame & Cover

Con-Force Structures Limited
PRECAST / PRESTRESSED CONCRETE

Standard Product

1-0008

