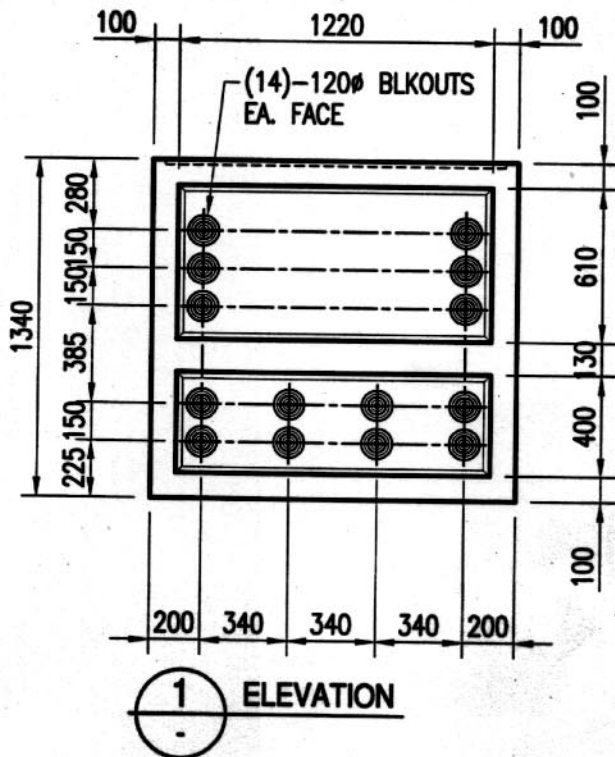
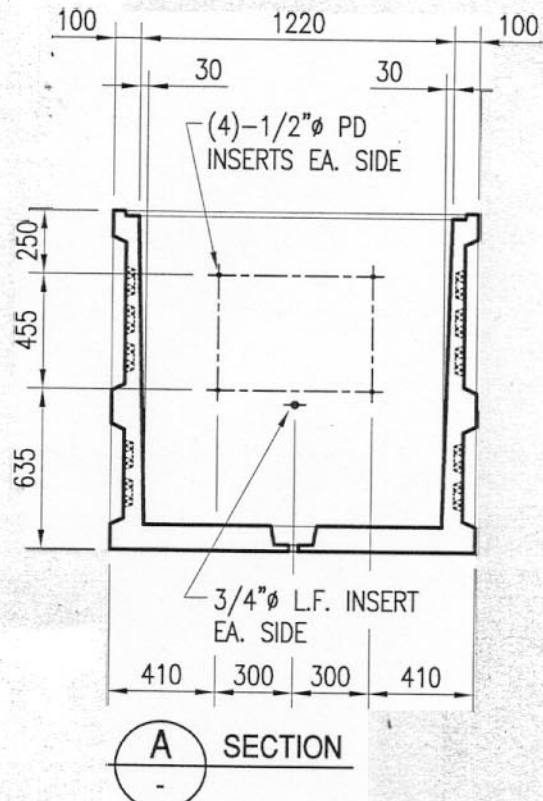


PLAN Mk#: 311-01

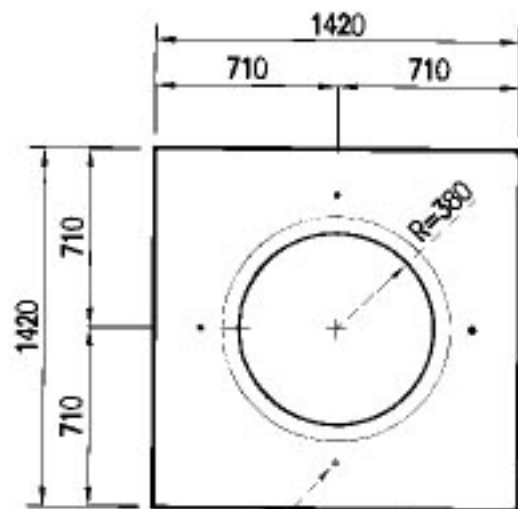
MASS: 1640 kg (3610 lbs)



1 ELEVATION



A SECTION

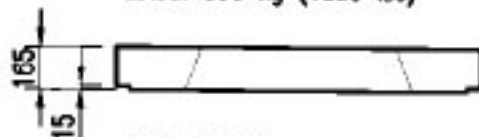


STANDARD LID

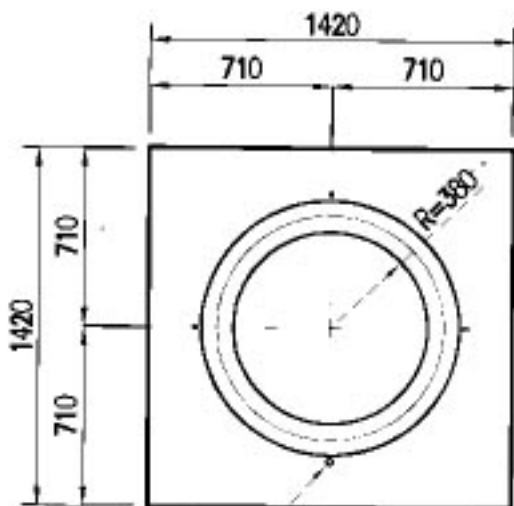
(4)-5/8"  $\phi$  INSERTS

PLAN Mkt#: 311-02

MASS: 590 kg (1300 lbs)



END VIEW



OPTIONAL LID

(4)-5/8"  $\phi$  INSERTS

PLAN Mkt#: 311-03

MASS: 590 kg (1300 lbs)

5 | 125



END VIEW