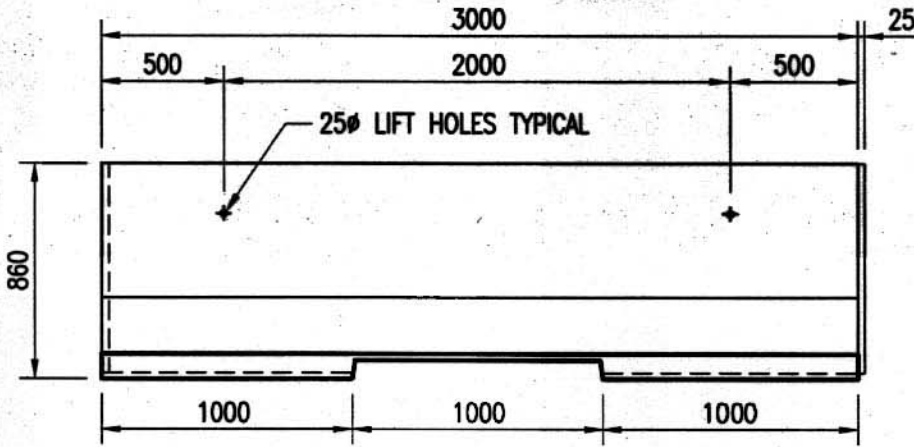
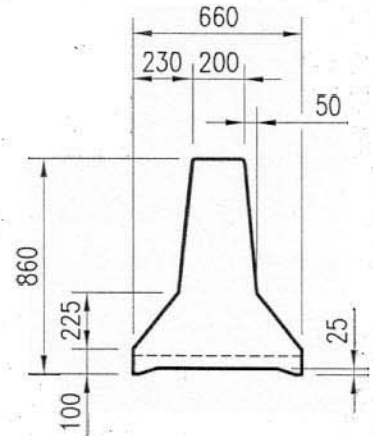


**Type 1 'New Jersey'
Style Median Barrier**

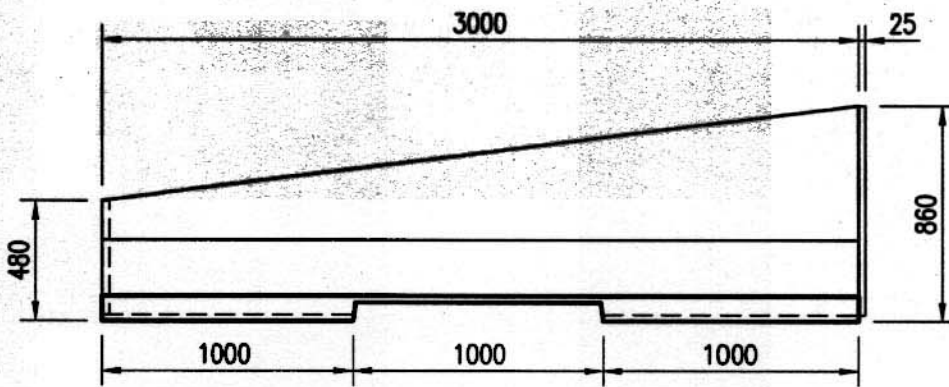


ELEVATION Mk#: 770-01

WEIGHT: 2030 kg (4475 lbs)

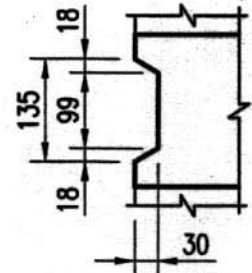


TYP. END VIEW

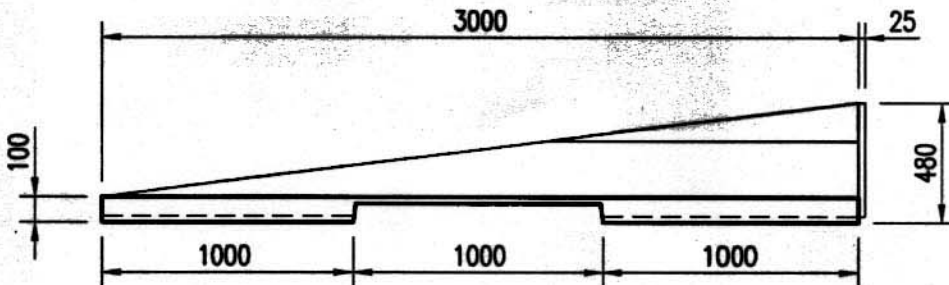


ELEVATION Mk#: 770-02

WEIGHT: 1715 kg (3780 lbs)

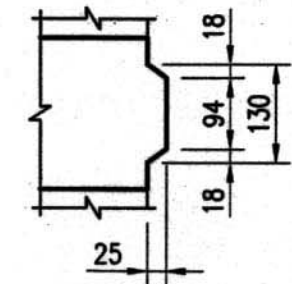


KEYWAY DETAIL



ELEVATION Mk#: 770-03

WEIGHT: 1010 kg (2230 lbs)



KEYWAY DETAIL