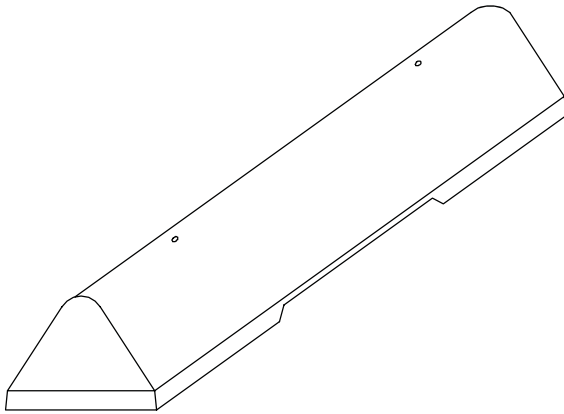


**LOW PROFILE BARRIER**

3m Standard

Product No: SP35400



**TECHNICAL DATA**

CSA Approved  
 Conforms with CSA Standard A23.4-00

Concrete	35 MPa @ 28 days Cement: Type 30
Steel	Grade 400
Mass	1116 kg (2460 lbs.)

