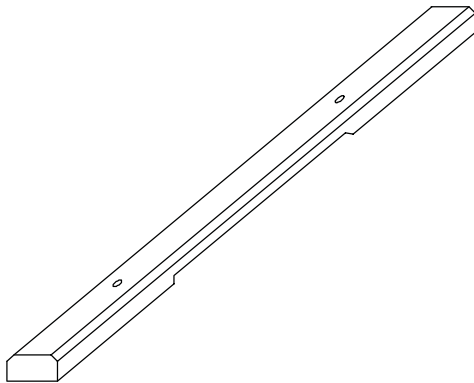


PARKING CURBS

102mm x 2130mm
 (4" x 7'-0")

Product No: SP32104



TECHNICAL DATA	
CSA Approved Conforms with CSA Standard A23.4-00	
Concrete	35 MPa @ 28 days Cement: Type 30
Steel	Grade 400
Mass	94 kg (207 lbs.)

