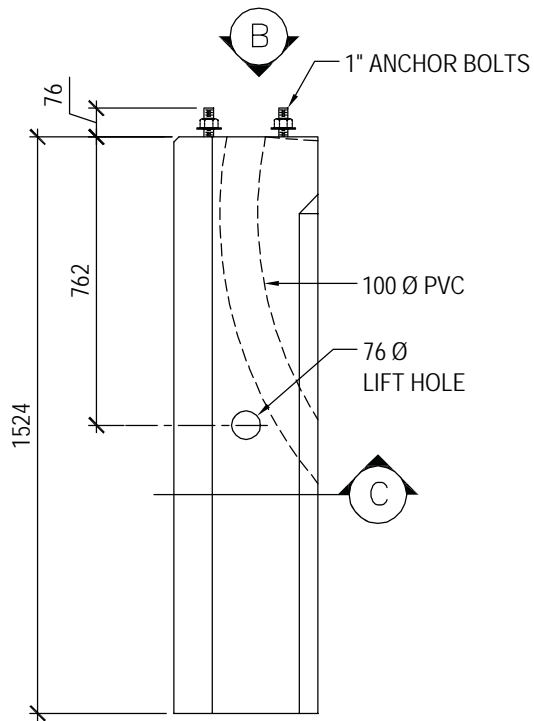


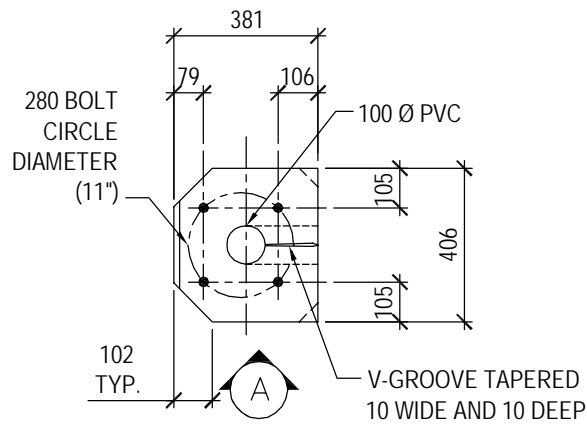
**LIGHT POLE BASE**

381mm x 406mm x 1524mm  
 (15" x 16" x 5'-0") 11" BCD  
 Product No: SP11007

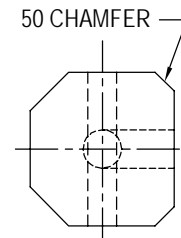


ELEVATION 'A'

TECHNICAL DATA	
CSA Approved Conforms with CSA Standard A23.4-00	
Concrete	35 MPa @ 28 days Cement: Type 50 Sulphate Resistant
Steel	Grade 400
Mass	530 kg (1166 lbs.)



TOP VIEW 'B'



SECTION 'C'