

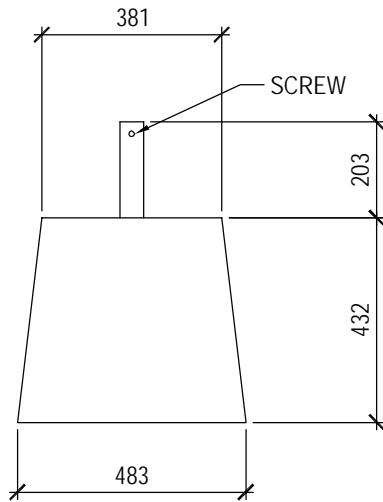
FLAG POLE BASE

Product No: SP90200

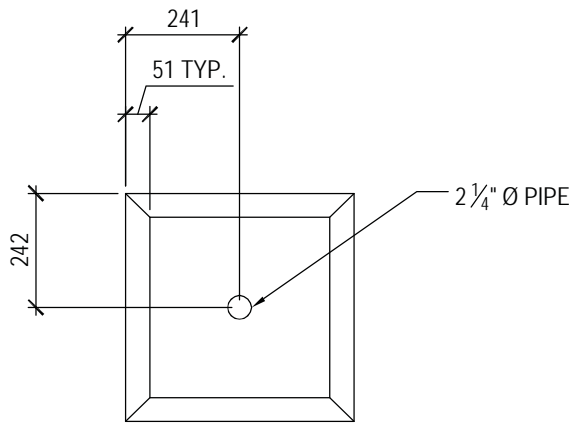
TECHNICAL DATA

CSA Approved
 Conforms with CSA Standard A23.4-00

Concrete	35 MPa @ 28 days Sulphate Resistant
Steel	Grade 400
Max. capacity	195 kg. (429 lbs.)



ELEVATION



PLAN