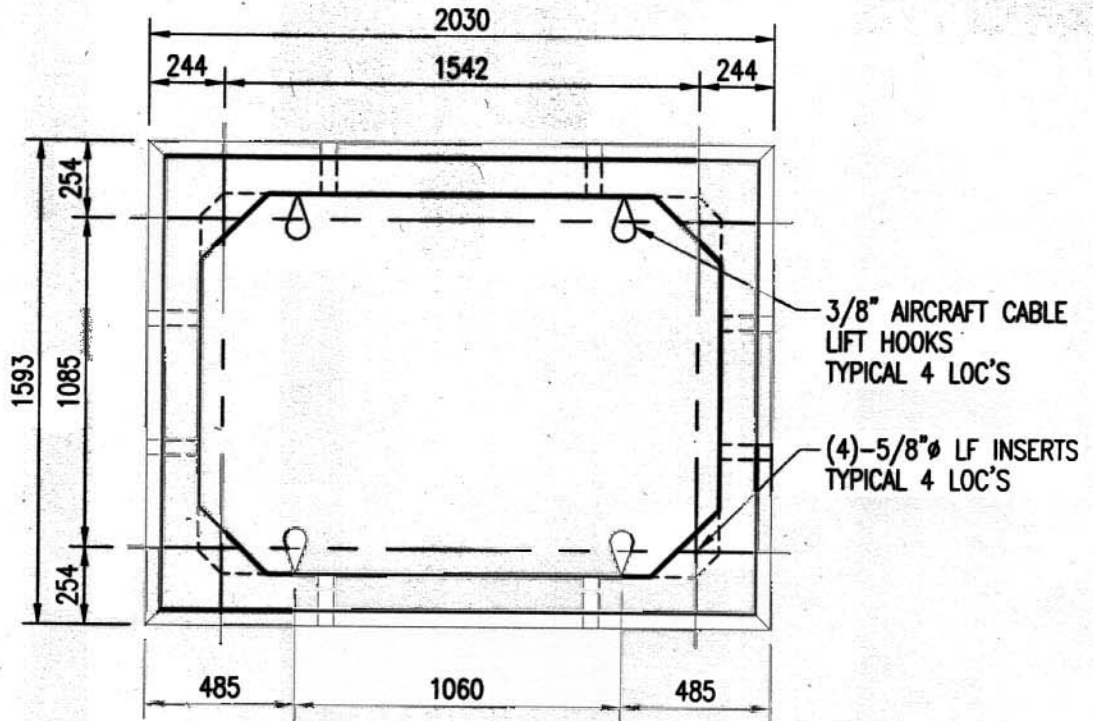
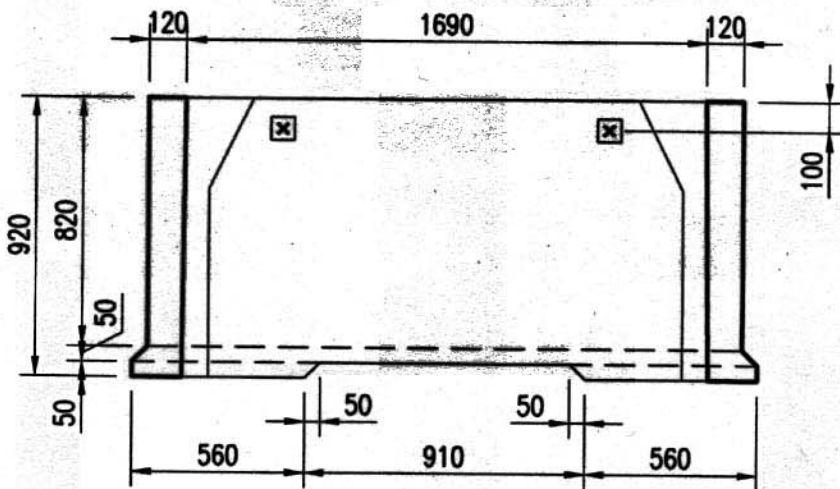


**4 Way - Three Phase
200 AMP 15 kV
Switching Cubicle Base**



PLAN Mk#: 532-01
WEIGHT: 1800 kg (3970 lbs)



SECTION