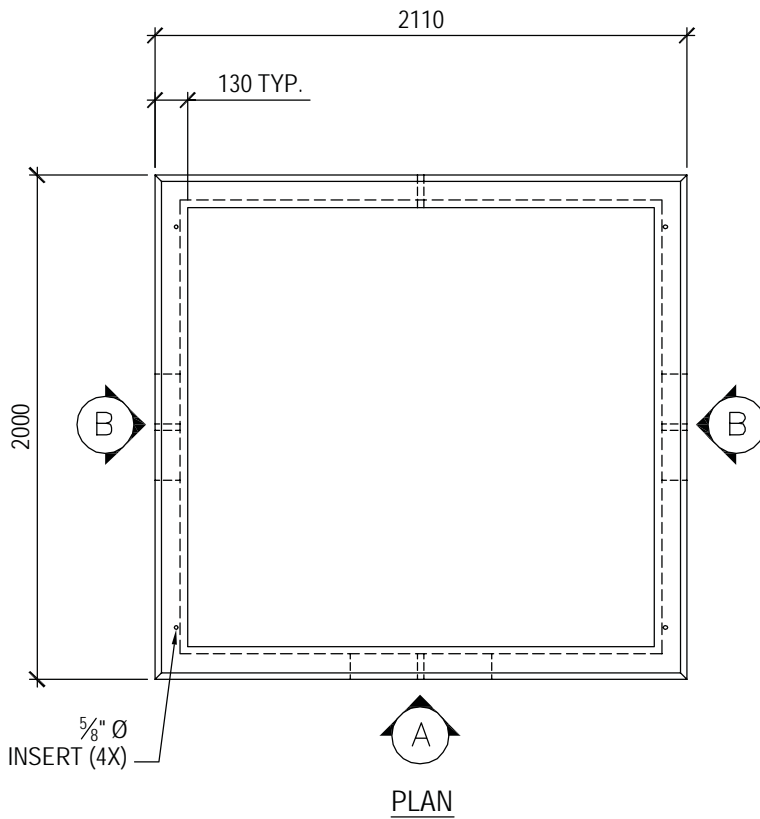


SWITCHING CUBICLE BASE

25kV

Product No: SP10025



| TECHNICAL DATA | |
|---|---|
| CSA Approved Conforms with CSA Standard A23.4-00 | |
| Concrete | 35 MPa @ 28 days Cement: Type 50 Sulphate Resistant |
| Steel | Grade 400 |
| Mass | 2600 kg (5720 lbs.) |

