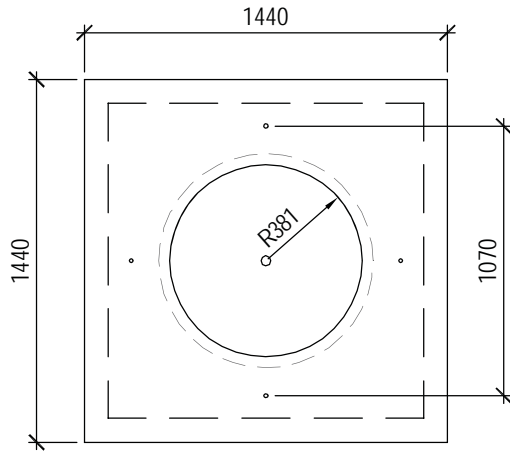


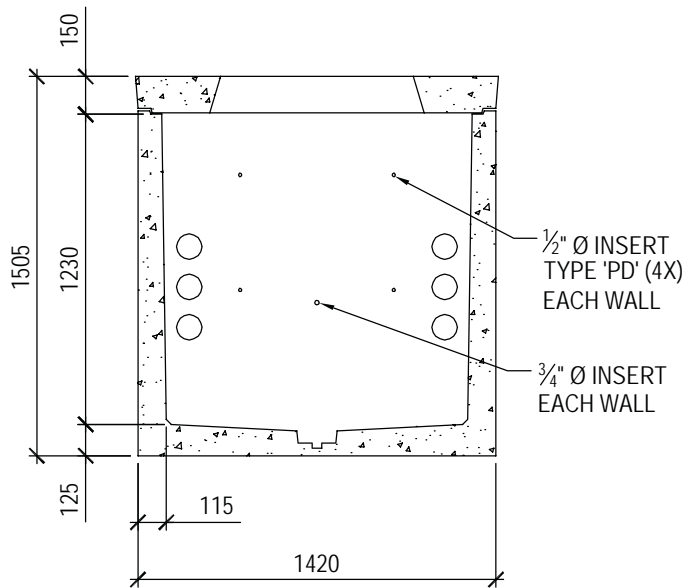
**PULL BOX**

1220mm x 1220mm x 1220mm  
 (4'-0" x 4'-0" x 4'-0")  
 Product No: SP40050/55

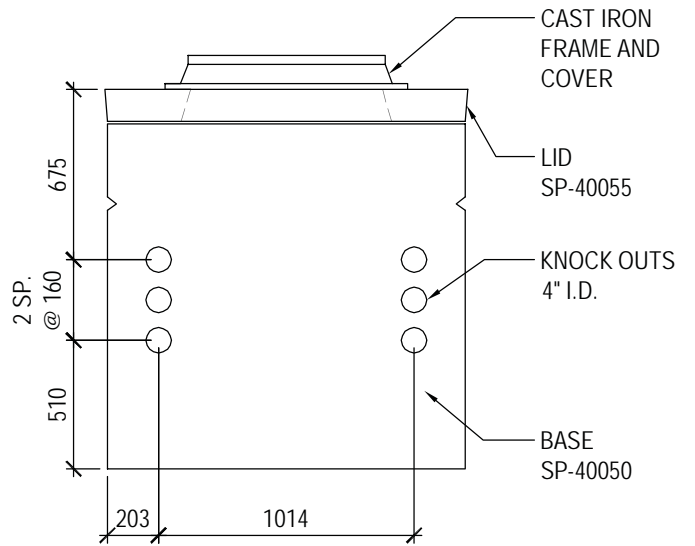


PLAN

TECHNICAL DATA	
CSA Approved Conforms with CSA Standard A23.4-00	
Concrete	35 MPa @ 28 days Sulphate Resistant
Steel	Grade 400
Mass	982 kg (2160 lbs.) SP40050 - BOX 295 kg (650 lbs.) SP40055 - LID



SECTION



ELEVATION