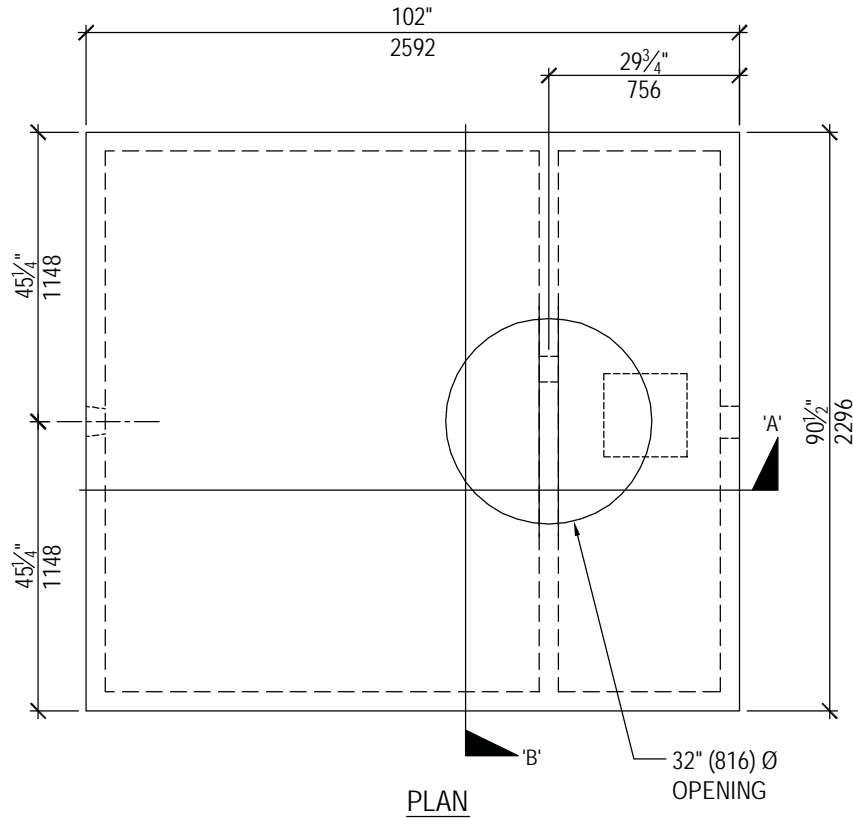


**SEPTIC TANK**

2000 - Pumpout  
Product No: TA20002



| TECHNICAL DATA                                    |  |                            |
|---|--|----------------------------|
| CSA Approved<br>Conforms with CSA Standard B66-05 |  |                            |
| Working Capacities                                | Septic Chamber                         | 5267 liters (1160 gallons) |
|   | Effluent Chamber                       | 1943 liters (427 gallons)  |
| Concrete  | 35 MPa @ 28 days<br>Sulphate Resistant |                            |
| Mass  | 8396 kg (18510 lbs.)                   |                            |
| Reinforcement                                     | Deformed rebar and<br>Welded Wire Mesh |                            |
| Max. Burial Depth To Top                          | 1.8 meters (6'-0")                     |                            |

